

Installation

1) Separate back housing from front housing. **See Fig-1** Step 1: swing top of housing out. Step 2: pull unit out of back box.

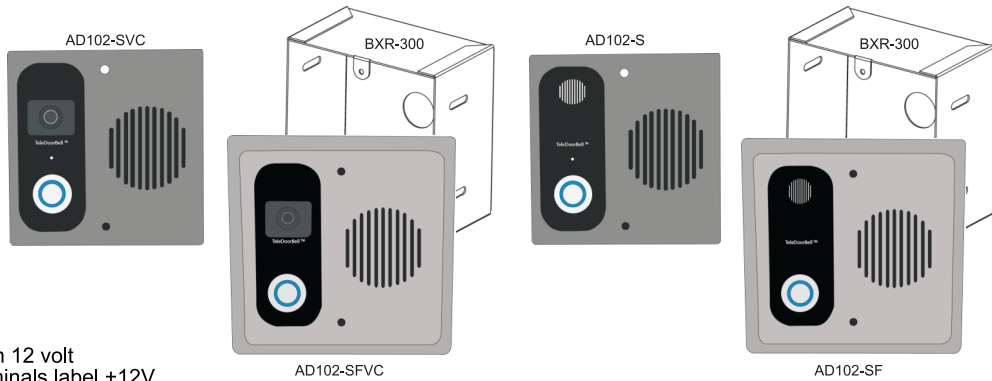
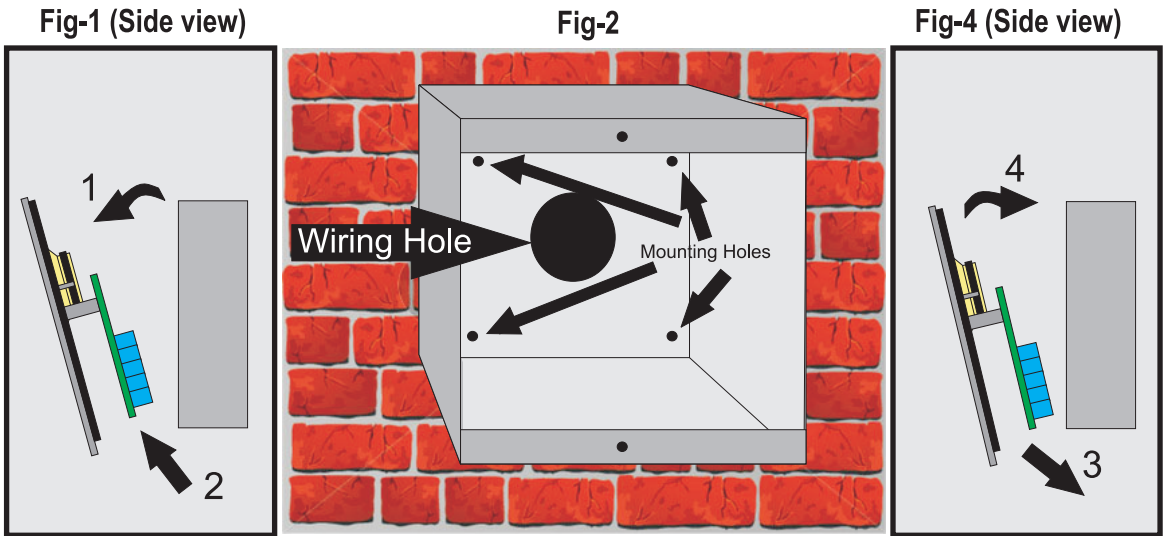
2) Mount back box either surface or flush mount depending on model. Run wire through wiring hole located in the middle of the back box. Secure firmly. **See Fig-2**

Note: We recommend that you use silicone sealer to protect the wiring around the hole.

3) **See Fig-3** for wiring instructions

4) Mount the unit back into the back box. **See Fig-4**

5) Secure stainless steel front face plate with the two(2) hex set screw using the hex key.



VIDEO MODEL SETUP

1) Connect 12 volt incoming power from 12 volt transformer (supplied in kit) into the terminals label +12V and -12V.

2) Connect the video output to your wires via the terminals labelled +VIDEO and -VIDEO.

AUDIO ONLY MODEL SETUP

1) Connect IN- IN+ from C304CR to Speaker Audio IN- IN+

Fig-3

